

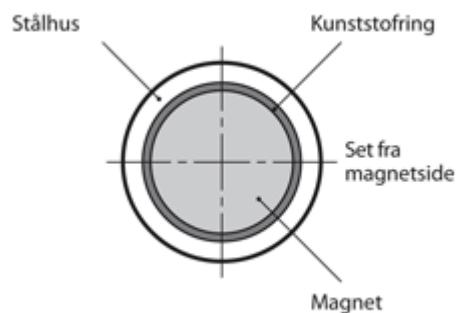
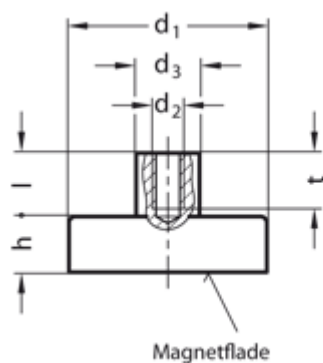
Data Sheet



Article number: 201221424A

Description: E+G Magnet - female thread GN 50.2-SC-25-M4
SC Samarium cobalt, 200°C, 150N

Measures



d1 = 25 ±0,1

d2 = M4x7

d3 = 8 ±0,2

h = 7 ±0,2

Holding force N = 150

Material = SC Samarium cobalt - 200° C

t = 7